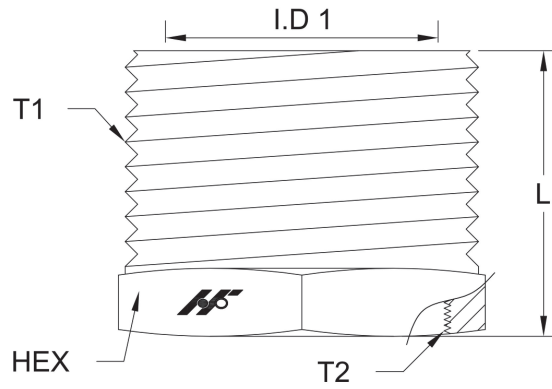


Bushing Thread Fitting-1

Specification	Model No.	I.D 1	L	HEX	Thread-BSPT 1	Thread-BSPT 2
1/4" * 1/8"	CD30021	8.5	15	14	13.2	11.4
3/8" * 1/8"	CD30031	12	16	17	16.7	15
3/8" * 1/4"	CD30032	11.2	16	17	16.7	15
1/2" * 1/8"	CD30041	15.2	19.5	20.6	21	18.6
1/2" * 1/4"	CD30042	11.4	21	21	21	18.6
1/2" * 3/8"	CD30043	15	17	21	21	18.6
3/4" * 1/4"	CD30062	20	21	28	26.4	24.1
3/4" * 3/8"	CD30063	20	20	27	26.4	24.1
3/4" * 1/2"	CD30064	18.5	20	27	26.4	24.1
1" * 3/8"	CD31003	24.5	25	35	33.3	30.3
1" * 1/2"	CD31004	26	26	35	33.3	30.3
1" * 3/4"	CD31006	24	26	35	33.3	30.3



Bushing Thread Fitting-2

Specification	Model No.	I.D 1	L	HEX	Thread-BSPT 1	Thread-BSPT 2
1-1/4" *1/2"	CD31204	19	28	45.9	41.9	39
1-1/4" *1"	CD31210	30	28	45.8	41.9	39
1-1/2" *1-1/4"	CD31410	37.5	27.9	50	47.8	44.9
2" *1-1/4"	CD32012	47.6	29.6	61	59.6	56.7
2" *1-1/2"	CD32014	49	31	63.8	59.6	56.7

